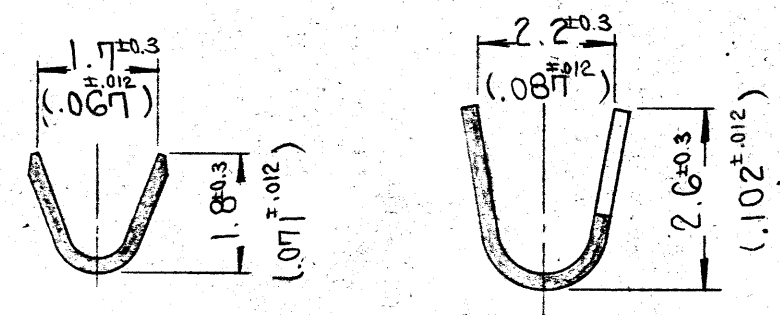
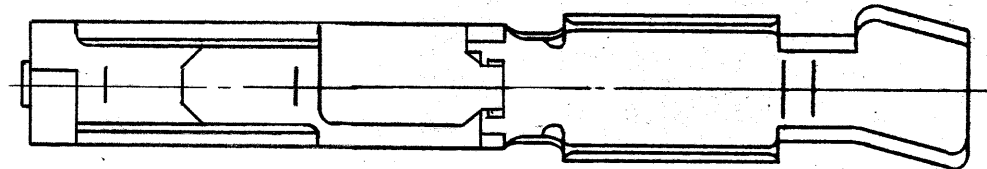
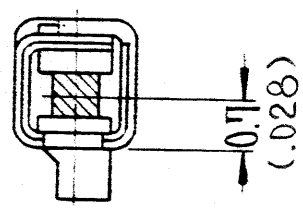
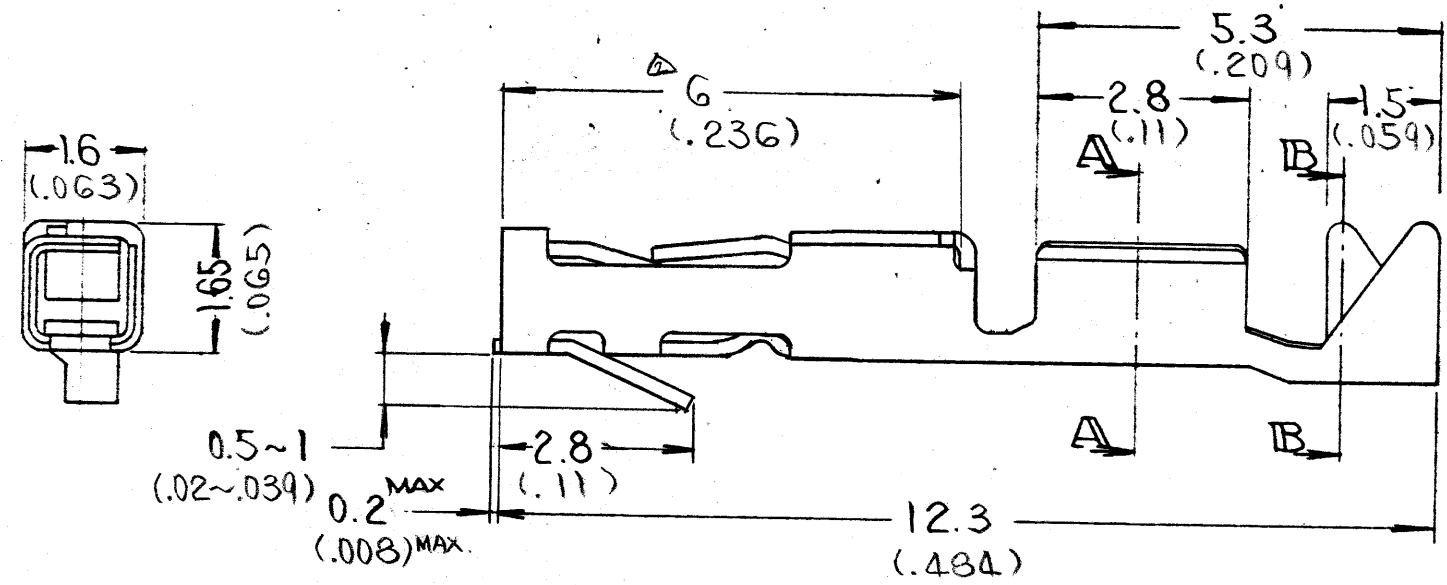


DWG. NO. SJ016352E 3
 SYM. 3

SYM.	DCN NO.	DESCRIPTION	DATE	DRAWN	CHECKED	APP'D	APP'D
2	15116	6.5(.256) → 6(.236)	4.MAR.1982	<i>M. Sasaki</i>	<i>T. Nagashima</i>	<i>T. Yajima</i>	
3	50963	CHANGED TO SI UNIT SYSTEM	13.Nov.2002	<i>M. Sasaki</i>	<i>K. Kawase</i>	<i>S. Kashiwagi</i>	



SECTION A-A (CONTACT CRIMPING BARREL) SECTION B-B (INSULATION CRIMPING BARREL)



CROSS SECTION (MATED WITH PIN)

TABLE 1. PART NO. DIMENSIONS AND CONTACT FINISH

PART NO.	PART NAME	FINISH	
		MATING PORTION	OTHER AREA
030-51307-001	PS-SF-C1-1	GOLD FLASH OVER NICKEL	GOLD FLASH OVER NICKEL
↑ -002	↑ -2	GOLD, 0.3 μm MIN Δ OVER NICKEL	GOLD FLASH OVER NICKEL
030-51307-003	PS-SF-C1-3	GOLD, 0.76 μm MIN Δ OVER NICKEL	GOLD FLASH OVER NICKEL

- NOTE 1. MATING PIN SIZE : 0.64^{±0.05} (.025^{±.002})
 2. USABLE WIRE SIZE : STRANDED WIRE, AWG 22 TO AWG 24
 OUTER DIA. (INCLUDING INSULATION) : 1.2 (.047) TO 1.6 (.063)

ITEM	DESCRIPTION	Q'TY	MATERIAL	FINISH	PART NO.
	(PS-SF-C1) JAE CONNECTOR				030-51307-00*

UNLESS OTHERWISE SPECIFIED		DATE	22-JUN-1981	TITLE	
DIMENSIONS ARE IN MILLIMETERS.		DRAWN	E. MURANO	(PS-SF-C1) JAE CONNECTOR 030-51307-00* Reference Only NAKAGAWA-CHO, AKISHIMA-SHI TOKYO, JAPAN	
TOLERANCES ON: (INCHES)		CHECKED	<i>T. Nagashima</i>		
FRACTIONS	DECIMALS	ANGLES	APP'D		
			<i>M. Sasaki</i>		
TREATMENT OR FINISH		APP'D	<i>K. Kawase</i>	DWG. NO.	
t0.2 PHOSPHOR BRONZE				SJ016352-E	
SCALE	× 10	DWG. SIZE	B	WT.	SHEET

APPLICATION	USED ON	QT'Y REQ'D	FINAL ASS'Y

JAPAN AVIATION ELECTRONICS
 IND. CO. LTD.
 FACTORY
 NAKAGAWA-CHO, AKISHIMA-SHI
 TOKYO, JAPAN