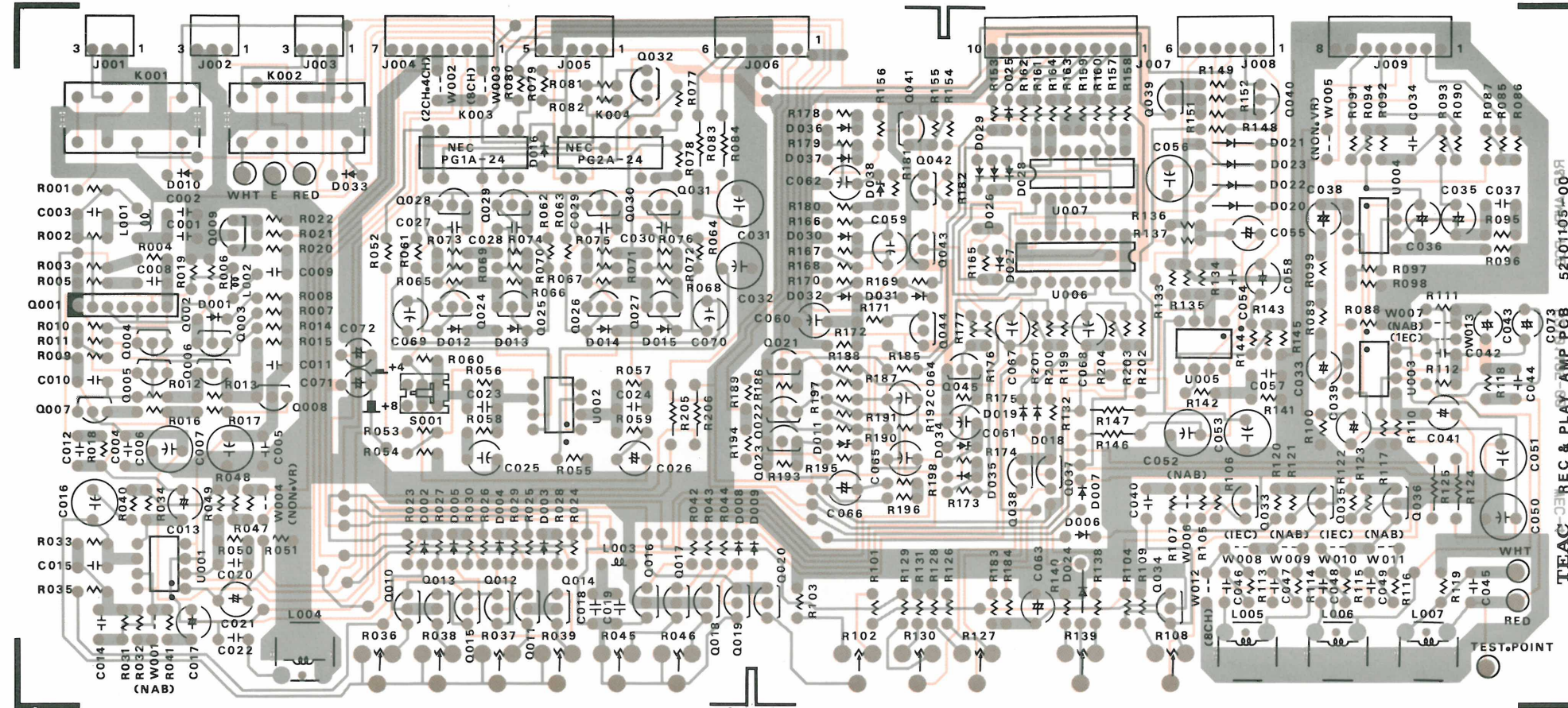


8-2-3. REC/PLAY Amp PCB Ass'y



REC/PLAY Amp PCB Ass'y

REF. NO.	PARTS NO.	DESCRIPTION
	5200110520	PCB Ass'y
	5210110501	PCB
IC'S		
U001, U002	5220416700	NJM2043D-D
U003 ~ U005	5147064000	NJM4559D-D
U006	5220020000	TC4049BP
U007	5220019000	TC4001BP
TRANSISTORS		
Q001, Q002	5232006200	FET 2SK-270BL
Q003	5145151000	2SC-1015GR
Q004, Q005	5145149000	2SA-970GR
Q006, Q007	5145151000	2SC-1815GR
Q008	5145150000	2SA-1015GR
Q009	5145091000	2SC-945AK
Q010	5145103000	FET, 2SK-68AM
Q012, Q013	5145103000	FET, 2SK-68AM
Q015	5145103000	FET, 2SK-68AM
Q016	5145185000	2SD-655E
Q017, Q018	5145091000	2SC-945AK
Q019, Q020	5145103000	FET, 2SK-68AM
Q021 ~ Q023	5145091000	2SC-945AK
Q024	5145151000	2SC-1815GR
Q025	5145150000	2SA-1015GR
Q026	5145151000	2SC-1815GR
Q027	5145150000	2SA-1015GR
Q028	5145082000	2SC-2060Q
Q029	5145084000	2SA-934Q
Q030	5145082000	2SC-2060Q
Q031	5145084000	2SA-934Q
Q032	5145149000	2SA-970GR
Q034	5145185000	2SD-655E
Q039	5145149000	2SA-970GR
Q040	5230775000	2SC-2878B
Q041 ~ Q045	5145091000	2SC-945AK
DIODES		
D001, D002	5224015010	1SS133HV
D004, D005	5224015010	1SS133HV
D008, D009	5224015010	1SS133HV
D011	5224540901	Zener, RD6.2EB2FR
D012 ~ D016	5224015010	1S133HV
D020 ~ D024	5224015400	1K60
D025 ~ D033	5224015010	1SS133HV
D034	5224540901	Zener, RD6.2EB2FR
D035 ~ D037	5224015010	1SS133HV
D038	5224539301	Zener, RD3.6EB2FR
CAPACITORS (Z stands for -20, +80%)		
C001, C002	5263107010	Polyst. 470pF 100V 5%
C003	5263107610	Polyst. 820pF 100V 5%
C004, C005	5173435000	Ceramic 0.047μF 50V Z
C006, C007	5173054800	Elec. 220μF 16V 20%
C008	5263106610	Polyst. 330pF 100V 5%
C009	5171868000	Mylar 0.033μF 100V 5%
C010, C011	5172204000	Ceramic 22pF 50V 10%
C012	5170356000	Mylar 0.0015μF 100V 5%
C013	5260065850	Elec. B.P 2.2μF 50V 20%
C014	5171858000	Mylar 0.012μF 100V 5%

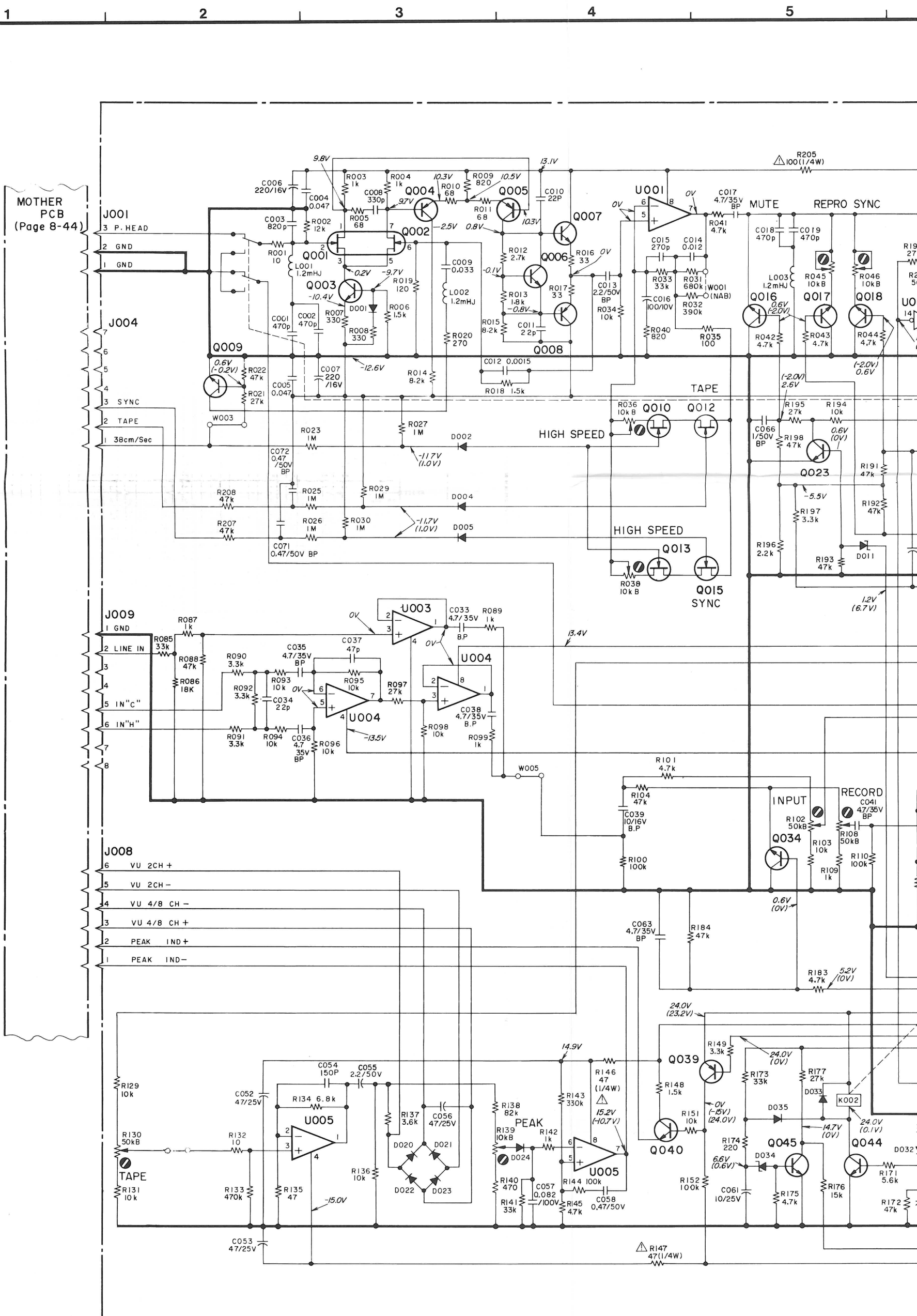
REF. NO.	PARTS NO.	DESCRIPTION
C015	5263106410	Polyst. 270pF 100V 5%
C016	5260166052	Elec. 100μF 16V 20%
C017	5260066550	Elec. B.P 4.7μF 35V 20%
C018, C019	5263107010	Polyst. 470pF 100V 5%
C020	5172214000	Ceramic 150pF 50V 10%
C021	5260065650	Elec. B.P 1.0μF 50V 20%
C022	5263106810	Polyst. 390pF 100V 5%
C023, C024	5263105410	Polyst. 100pF 100V 5%
C025	5260162550	Elec. 10μF 16V 20%
C026	5260067050	Elec. B.P 10μF 16V 20%
C027 ~ C030	5172204000	Ceramic 22pF 50V 10%
C031, C032	5260166052	Elec. 100μF 16V 20%
C033	5260066550	Elec. B.P 4.7μF 35V 20%
C034	5172204000	Ceramic 22pF 50V 10%
C035, C036	5260066550	Elec. B.P 4.7μF 35V 20%
C037	5172208000	Ceramic 47pF 50V 10%
C038	5260066550	Elec. B.P 4.7μF 35V 20%
C039	5260067050	Elec. B.P 10μF 16V 20%
C041	5260066550	Elec. B.P 4.7μF 35V 20%
C042	5170453000	Mylar 0.15μF 100V 5%
C043	5260067050	Elec. B.P 10μF 16V 20%
C044	5170362000	Mylar 0.0027μF 100V 5%
C045	5263106810	Polyst. 390pF 100V 5%
C046	5170377000	Mylar 0.0056μF 100V 5%
C050 ~ C053	5260165252	Elec. 47μF 25V 20%
C054	5172214000	Ceramic 150pF 50V 10%
C055	5260065850	Elec. B.P 2.2μF 50V 20%
C056	5260165252	Elec. 47μF 25V 20%
C057	5170447000	Mylar 0.082μF 100V 5%
C058	5260065450	Elec. B.P 0.47μF 50V 20%
C059	5171912000	Elec. K.A 0.22μF 50V 20%
C060	5260162550	Elec. 10μF 16V 20%
C061	5260162650	Elec. 10μF 25V 20%
C062	5260163452	Elec. 22μF 25V 20%
C063	5260066550	Elec. B.P 4.7μF 35V 20%
C064, C065	5260162050	Elec. 4.7μF 35V 20%
C066	5260066550	Elec. B.P 4.7μF 35V 20%
C067, C068	5260162050	Elec. 4.7μF 35V 20%
C069, C070	5260162550	Elec. 10μF 16V 20%
C071 ~ C073	5260065450	Elec. B.P 0.47μF 50V 20%
CARBON RESISTORS All resistors are rated ±5% tolerance at 1/6W, unless otherwise noted.		
R001	5240023420	10Ω
R002	5240030820	12kΩ
R003, R004	5240028220	10kΩ
R005	5240025420	68Ω
R006	5240028620	1.5kΩ
R007, R008	5240027020	330Ω
R009	5240028020	820Ω
R010, R011	5240025420	68Ω
R012	5240029220	2.7kΩ
R013	5240028820	1.8kΩ
R014, R015	5240030420	8.2kΩ
R016, R017	5240024620	33Ω
R018	5240028620	1.5kΩ
R019	5240026020	120Ω
R020	5240026820	270Ω

REF. NO.	PARTS NO.	DESCRIPTION
R021	5240031620	27kΩ
R022	5240032220	47kΩ
R023	5240035420	1.0MΩ
R025 ~ R027	5240035420	1.0MΩ
R029, R030	5240035420	1.0MΩ
R031	5240035020	680kΩ
R032	5240034420	390kΩ
R033	5240031820	33kΩ
R034	5240030620	10kΩ
R035	5240025820	100Ω
R040	5240028620	1.5kΩ
R041 ~ R044	5240029820	4.7kΩ
R047	5240028220	1.0kΩ
R048	5240033020	100kΩ
R049	5240027620	560Ω
R050	5240030820	12kΩ
R051	5240033020	100kΩ
R052	5240025220	56Ω
R053	5240028220	1.0kΩ
R054	5240031420	22kΩ
R055 ~ R059	5240030620	10kΩ
R060	5240030820	12kΩ
R061 ~ R064	5240031020	15kΩ
R065 ~ R068	5240029820	4.7kΩ
R069 ~ R072	5240028220	1.0kΩ
R073 ~ R076	5240022620	4.7Ω
R077, R078	5240023420	10Ω
R079	5240031420	22kΩ
R080	5240032220	47kΩ
R081	5240029420	3.3kΩ
R082	5240030620	10kΩ
R083, R084	5183566000	Nonflammable, 33Ω F25
R085	5240031820	33kΩ
R086	5240031220	18kΩ
R087	5240028220	1.0kΩ
R088	5240032220	47kΩ
R089	5240028220	1.0kΩ
R090	5240029420	3.3kΩ
R091, R092	5240029420	3.3kΩ
R093 ~ R096	5240030620	10kΩ
R097	5240031620	27kΩ
R098	5240030620	10kΩ
R099	5240028220	1.0kΩ
R100	5240033020	100kΩ
R101	5240029320	4.7kΩ
R103	5240030620	10kΩ
R104	5240032220	47kΩ
R109	5240028220	1.0kΩ
R110	5240033020	100kΩ
R111	5240033020	100kΩ
R112	5240031420	22kΩ
R113	5240025320	100Ω
R117	5240028420	1.2kΩ
R118	5240028620	1.5kΩ
R119	5240033020	100kΩ
R124, R125	5183586000	Nonflammable, 220Ω F25
R129	5240030620	10kΩ
R131	5240030620	10kΩ
R132	5240023420	10Ω
R133	5240034620	470kΩ

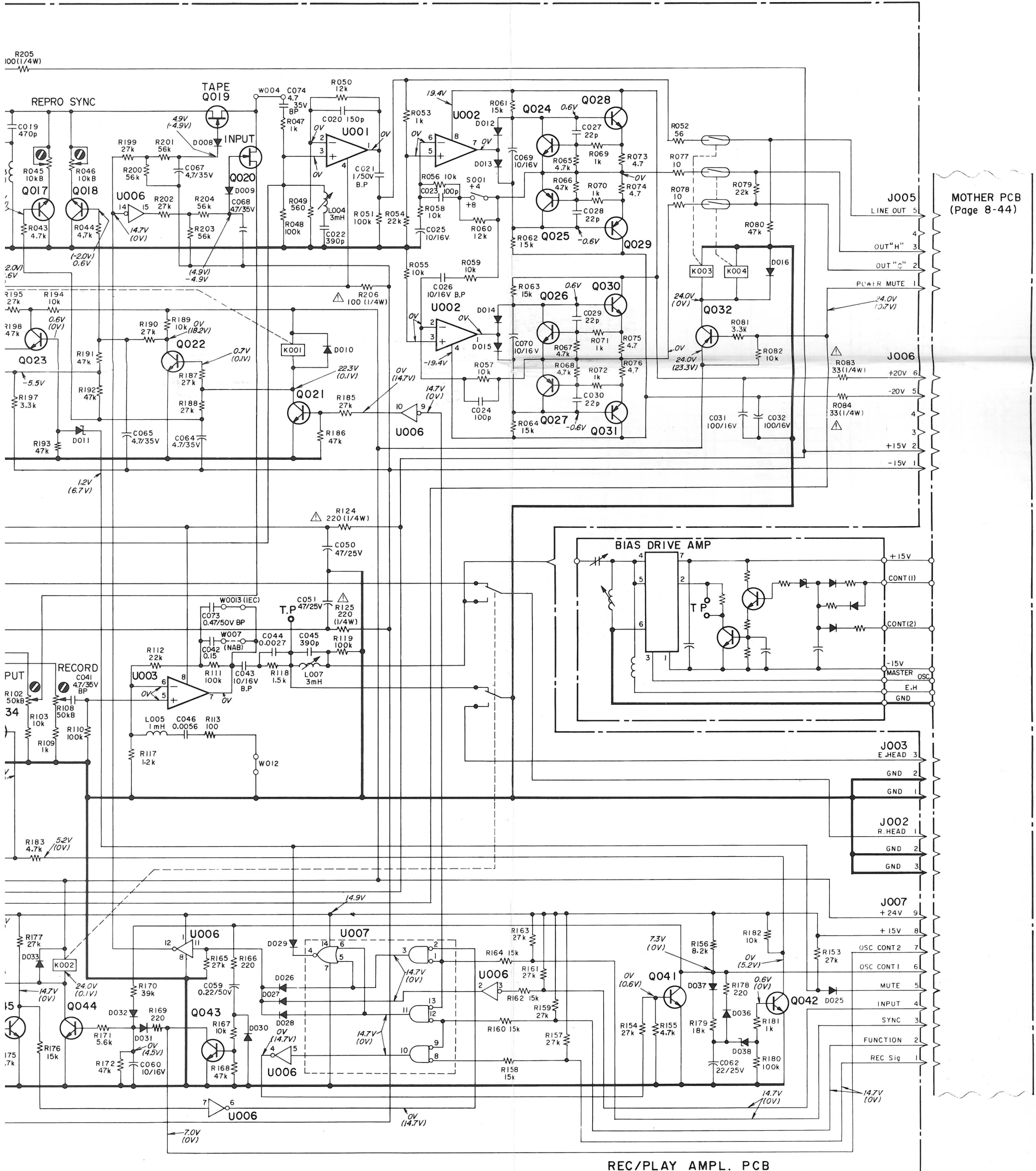
REF. NO.	PARTS NO.	DESCRIPTION
R134	5240030220	6.8kΩ
R135	5240025020	47Ω
R136	5240030620	10kΩ
R137	5240029520	3.6kΩ
R138	5240032820	82kΩ
R140	5240027420	470Ω
R141	5240031820	33kΩ
R142	5240028220	1.0kΩ
R143	5240034220	330kΩ
R144	5240033020	100kΩ
R145	5240029820	4.7kΩ
R146, R147	5183570000	Nonflammable, 47Ω F25
R148	5240028620	1.5kΩ
R149	5240029420	3.3kΩ
R151	5240030620	10kΩ
R152	5240033020	100kΩ
R153, R154	5240031620	27kΩ
R155	5240032220	47kΩ
R156	5240030420	8.2kΩ
R157	5240031620	27kΩ
R158	5240031020	15kΩ
R159	5240031620	27kΩ
R160	5240031020	15kΩ
R161	5240031620	27kΩ
R162	5240031020	15kΩ
R163	5240031620	27kΩ
R164	5240031020	15kΩ
R165	5240031620	27kΩ
R166	5240026620	220Ω
R167	5240030620	10kΩ
R168	5240032220	47kΩ
R169	5240026620	220Ω
R170	5240032020	39kΩ
R171	5240030020	5.6kΩ
R172	5240032220	47kΩ
R173	5240031820	33kΩ
R174	5240026620	220Ω
R175	5240029820	4.7kΩ
R176	5240031020	15kΩ
R177	5240031620	27kΩ
R178	5240026620	220Ω
R179	5240031220	18kΩ
R180	5240033020	100kΩ
R181	5240028220	1.0kΩ
R182	5240030620	10kΩ
R183	5240029820	4.7kΩ
R184	5240032220	47kΩ
R185	5240031620	27kΩ
R186	5240032220	47kΩ
R187, R188	5240031620	27kΩ
R189	5240030620	10kΩ
R190	5240031620	27kΩ
R191 ~ R193	5240032220	47kΩ
R194	5240030620	10kΩ
R195	5240031620	27kΩ
R196	5240029020	2.2kΩ
R197	5240029420	3.3kΩ
R198	5240032220	47kΩ
R199	5240031620	27kΩ
R200, R201	5240032420	56kΩ

REF. NO.	PARTS NO.	DESCRIPTION
R202	5240031620	27kΩ
R203, R204	5240032420	56kΩ
R205, R206	5183578000	Nonflammable, 100Ω F25
R207, R208	5240032220	47kΩ
VARIABLE RESISTORS		
R036, R038	5280132202	Semi-fixed 10kΩ (B)
R045, R046	5280132202	Semi-fixed 10kΩ (B)
R102, R108	5280132702	Semi-fixed 50kΩ (B)
R130	5280132702	Semi-fixed 50kΩ (B)
R139	5280132202	Semi-fixed 10kΩ (B)
COILS		
L001 ~ L003	5160107000	Choke Coil, 1200μH 5%
L004	5160044000	Trap Coil, 3MH 20%
L005	5286010900	Choke Coil, 1.0MH
L007	5160044000	Trap Coil, 3MH 20%
	5800303900	Case, Shield
MISCELLANEOUS		
J001 ~ J003	5122374000	Connector Socket, 3AH
J004	5122378000	Connector Socket, 7AH
J005	5122376000	Connector Socket, 5AH
J006	5122377000	Connector Socket, 6AH
J007	5122381000	Connector Socket, 10AH
J008	5122377000	Connector Socket, 6AH
J009	5122379000	Connector Socket, 8AH
K001	5290010400	Relay, 24V MR62-24S
K001	5290008900	Relay, 24V G2V-2
K002	5290010400	Relay, 24V MR62-24S
	5800303900	Case, Shield
K002	5290008900	Relay, 24V G2V-2
K003	5290010200	Reed Relay, PG2A24M
K004	5290009800	Reed Relay, PG1A-24
W003 ~ W005	5181761000	Jumper Lead, P=5.0
W012 ~ W014	5181761000	Jumper Lead, P=5.0
	5317002100	DH Check Pin
	5300034300	Slid Switch 2-2

8-3-4. Rec/Reproduce PCB Ass'y



- | | | | |
|------------|----------------|--|-------------------|
| U001, U002 | --- NJM2043D-D | Q001, Q002 | ----- 2SK270(BL) |
| U003~U005 | --- NJM4559D-D | Q003, Q006, Q007, Q024, Q026 | ----- 2SC1815(GR) |
| U006 | ----- TC4049BP | Q004, Q005, Q032, Q039 | ----- 2SA970(GR) |
| U007 | ----- TC4001BP | Q008, Q025, Q027 | ----- 2SA1015(GR) |
| | | Q009, Q017, Q018, Q021~Q023, Q041~Q045 | ----- 2SC945A(K) |
| | | Q010, Q012, Q013, Q015, Q019, Q020 | ----- 2SK68AM |
| | | Q016, Q034 | ----- 2SD655(E) |
| | | Q028, Q030 | ----- 2SC2060Q |



MOTHER PCB
(Page 8-44)

REC/PLAY AMPL. PCB

- 2SK270(BL)
 - 2SC1815(GR)
 - 2SA970(GR)
 - 2SA1015(GR)
 - 2SC945A(K)
 - 2SK68AM
 - 2SD655(E)
 - 2SC2060Q
- D011, D034 --- RD6.2EB2 (FR)
 - D020~D024 --- 1K60
 - D038 --- RD3.6EB2 (FR)
 - Others --- ISSI33HV
- Q029, Q031 --- 2SA934(Q)
 - Q040 --- 2SC2878(B)